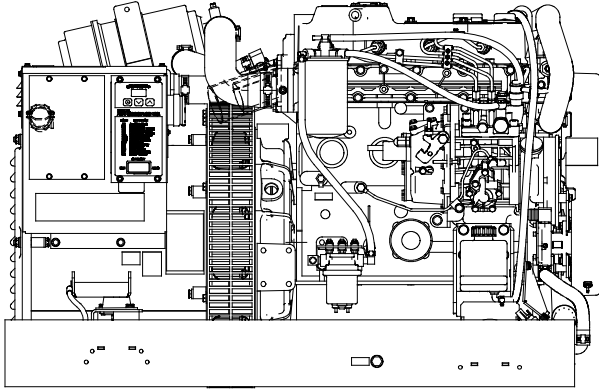


Model: 32EOZD 60 Hz
28EFOZD 50 Hz

KOHLER POWER SYSTEMS

3-Phase Diesel



Marine Generator Set

Engine Features

- Diesel fueled
- Four cylinder
- Four cycle
- U.S. Marine EPA Tier 3 (60 Hz model)
- Closed cooling system
- Heat exchanger
- Lifting eyes
- Electric fuel lift pump

Generator Features

- Remote start 12-pin connector
- Class H insulation
- Multivoltage adjustability
- Voltage regulation of $\pm 1.5\%$
- Radio suppression

Generator Weights and Dimensions

	Without Sound Shield	With Sound Shield
Weight, kg (lbs.)		
wet	587 (1295)	633 (1395)
dry	581 (1280)	626 (1380)
Length, mm (in.)	1188 (46.80)	1295 (51.00)
Width, mm (in.)	635 (25.00)	635 (25.00)
Height, mm (in.)	767 (30.20)	810 (31.88)

Generator Ratings

Model Series	Voltage	Hz	25°C (77°F)	25°C (77°F)	Ph
			Amps	kW/kVA	
32EOZD	120/208	60	111	32/40	3
	120/240	60	96	32/40	3
	120/240	60	133	32/32	1
	127/220	60	105	32/40	3
	139/240	60	96	32/40	3
	277/480	60	48	32/40	3
28EFOZD	110/190	50	106	28/35	3
	115/230	50	88	28/35	3
	115/230	50	117	27/27	1
	120/208	50	97	28/35	3
	230/400	50	51	28/35	3
	240/416	50	49	28/35	3
	220/380	50	53	28/35	3

RATINGS: Marine continuous ratings per ISO 3046, ISO 8528-1, and Kohler ISO rating guideline 2.14. Obtain technical information bulletin (TIB-101) on ratings guidelines for complete ratings definitions.

Availability is subject to change without notice. Kohler Co. reserves the right to change the design or specifications without notice and without any obligation or liability whatsoever. Contact your local Kohler generator distributor for availability.

10% Overload Capacity One Hour in Twelve Hours

ADC 2100 Advanced Digital Control Features

- Designed for today's most sophisticated electronics
- Easy to read alpha-numeric display
- Compact, integrally mounted control
- Potted boards/sealed connectors for maximum corrosion protection
- SAE J-1939 CANbus output
- Remote monitoring of up to 13 fault conditions
- Membrane keypad for configuration and adjustment
- Programmed crank cycle

Optional Accessories

- Sound shield
- Remote digital gauge
- Siphon break
- Circuit breakers

Application Data

Engine

Engine Specifications	60 Hz	50 Hz
Type	4 cycle, naturally aspirated	
Cylinder, number	4	
Displacement, L (cu. in.)	3.319 (202.5)	
Bore and stroke, mm (in.)	98 (3.86) x 110 (4.33)	
Compression ratio	18.5:1	
Combustion system	Direct injection	
Rated rpm	1800	1500
Max. power at rated rpm, HP	55.8	46.7
Cylinder block material	Cast iron	
Cylinder head material	Cast iron	
Piston rings	2 compression/1 oil	
Crankshaft material	Forged steel	
Connecting rod material	Forged carbon steel	
Governor, type	Centrifugal	
Frequency regulation, mechanical governor		
No load to full load (droop)	±5%	
Steady state	±0.8%	

Engine Electrical

Engine Electrical System	60 Hz	50 Hz
Battery, voltage	12 volt (standard) 24 volt (optional)	
Battery, charging	40-amp alternator	
Battery, recommendation (minimum)	800 CCA 100 amp hr.	
Starter motor	2.3 kW	

Cooling

Cooling System	60 Hz	50 Hz
Capacity, L (U.S. qts.) (approx.)	7.57 (8)	
Heat exchanger type	3 in. dia. 3 pass cupronickel	
Seawater pump type	Belt-driven, 10-blade impeller	
Heat rejected to cooling water at rated kW, wet exhaust, kW (Btu/min.)	28.8 (1639)	24.1 (1373)
Engine water pump flow, Lpm (gpm)	55.9 (14.8)	45.0 (11.9)
Seawater pump flow, Lpm (gpm)	22.7 (6)	18.9 (5)

Fuel

Fuel System	60 Hz	50 Hz
Fuel shutoff solenoid	Electric	
Fuel pump	Electric, rotary vane	
Fuel pump priming	Electric	
Maximum recommended fuel lift, m (ft.)	1.2 (4)	

Lubrication

Lubricating System	60 Hz	50 Hz
Oil pan capacity with filter, L (U.S. qts.)	10.2 (10.78)	
Oil pump type	Pressure, trochoid pump	

Operation Requirements

Air Requirements	60 Hz	50 Hz
Engine combustion air requirements L/min. (cfm)	2680 (95)	2240 (79)
Engine/generator cooling requirements L/min. (cfm)	15574 (550)	13025 (460)
Max. air intake restriction, kPa (mm H ₂ O)	6.23 (635)	
Exhaust flow, m ³ /min. (cfm)	7.0 (248)	5.5 (193)
Dry exhaust temp., °C (°F)	566 (1050)	510 (950)
Max. allowed exhaust back pressure, kPa (mm H ₂ O)	15.30 (1560)	

Fuel Consumption	60 Hz	50 Hz
Diesel, Lph (gph) at % load		
100%	9.9 (2.69)	7.8 (2.05)
75%	7.5 (1.99)	5.9 (1.56)
50%	5.5 (1.46)	4.2 (1.10)
25%	3.6 (0.96)	2.8 (0.74)

Engine Features

- One-side serviceability of fuel system, lubrication system, seawater pump, and air cleaner
- Low oil pressure shutdown
- High engine temperature shutdown
- Seawater pump impeller failure shutdown
- Focused vibromounts
- Belt guard
- Disposable oil filter
- Oil drain valve and hose

Generator Features

- Brushless, rotating field design permits power to be obtained from stationary leads.
- Rotor and stator are vacuum impregnated and coated with high-bond epoxy varnish. Varnish helps prevent corrosion in high-humidity areas.
- Rotors are dynamically balanced to minimize vibration.
- Copper windings ensure minimal heat buildup. Insulation meets NEMA standards for class H insulation.
- Direct connected to the engine, the generator has sealed precision ball bearings with a precision-machined steel sleeve in the end bracket to prevent shaft misalignment and extend bearing life.
- Mounted on a drip-proof tray.
- Equipped with a twelve-lead reconnectable stator.

Application Data

ADC 2100 Control Features



- LED display:
 - Runtime hours
 - Crank cycle status
 - Diagnostics/fault codes/data
- Keypad
 - Secure access, password protected
 - Voltage, gain, and speed adjustment
 - Controller configuration (system voltage, phase, and frequency settings, battery voltage, and generator set model)
- Master control switch: run/off-reset/auto (engine start)
- Remote two-wire start/stop capability
- Potted electronics and sealed connections
- Voltage regulation $\pm 1.5\%$
- Cyclic cranking: 15 seconds on, 15 seconds off (3 cycles)
- Faults with shutdown:
 - High engine temperature
 - Low oil pressure
 - Loss of coolant
 - Overcrank safety
 - Overspeed
 - Over/under voltage
 - Over/under frequency
 - Auxiliary fault
- Faults with warning:
 - Low battery voltage
 - High battery voltage
- Power requirements:
 - 12 or 24 VDC with fuse protection
 - 200 mA @ 12VDC/100 mA @ 24 VDC

Accessories

Sound Shield

Provides for highly effective silencing, ease of access for engine/generator servicing, low maintenance, excellent durability, and safety. The sound shield's customer connection panel includes connections for the following:

- Battery (positive and negative)
- Equipment ground
- Fuel inlet and return
- Seawater inlet
- Water-cooled exhaust outlet
- Oil drain
- Customer load lead access
- Customer interface

Siphon Break

Mandatory kit on generators installed below the waterline. Prevents the siphoning of flotation water into the engine.

Line Circuit Breakers

Protect the generator from extreme overload.

Ship-to-Shore Switch

Allows immediate switching to Kohler® generator set power or shore power protecting the electrical system from the possibility of simultaneous connection of both power sources. Available as a four-pole ship-to-shore switch.

Remote Digital Gauge

Allows starting/stopping from a location remote from the generator set. Standard 76.2 mm (3 in.) dia. hole required for mounting.

Oil Pressure Sender Kit

Provides sender necessary to make digital gauge functional.

Remote Connection/Extension Harness

Provides wiring between the remote digital gauge and the ADC connector. Extension limited to a total of four kits and 23 m (75 ft.). Available in 4.6 m (15 ft.) and 7.6 m (25 ft.) lengths.

12-Inch Remote Wiring Harness

Equipped with a 12-pin connector on one end that connects to the standard customer interface connector. Equipped on the other end with leads for connection to customer-supplied wiring.

KOHLER[®] POWER SYSTEMS

KOHLER CO., Kohler, Wisconsin 53044 USA
Phone 920-457-4441, Fax 920-459-1646
For the nearest sales and service outlet in the
US and Canada, phone 1-800-544-2444
KohlerPower.com

